

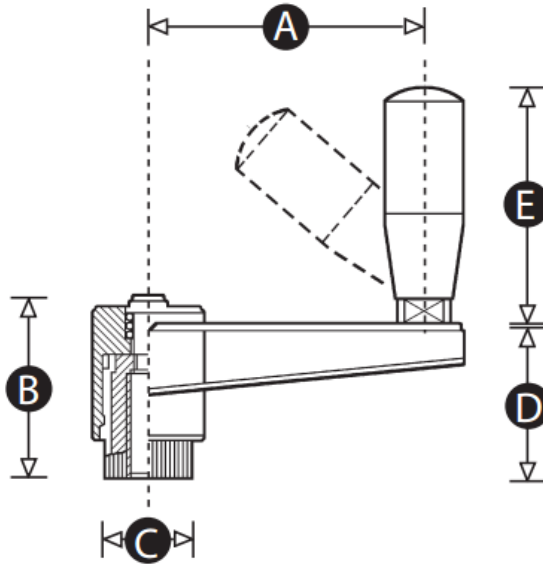
G08CR Index Cranking Handle With Folding Side Handle

Features

- Complete with a folding revolving side handle

Material

- Body: High impact resistant thermoplastic, matt black
- Insert: Brass



Part No.	A	B	C	D	E	Thread Size
G08CR-5459P	65	45	27	36	52	M8
G08CR-5460V						M10
G08CR-5461Y						M12
G08CR-5464W	80	52	34	46	52	M10
G08CR-5462Q						M12
G08CR-5463T						M14
G08CR-5465P	110	52	34	47	62	M12
G08CR-5466R						M14
G08CR-5467U						M16